

**HOTSY Guns**

Designed exclusively for Hotsy to meet the demands of the high pressure cleaning professional.



- **PSI: 5000**
- GPM: 10.5
- Temperature: 320°F
- 3/8" FPT inlet x 1/4" FPT outlet
- Weight: 20 oz



Part No.	Description
<b>8.751-235.0</b>	Hotsy Gun
<b>8.751-119.0</b>	Hotsy Gun Repair Kit



- **PSI: 3750**
- GPM: 12
- Temperature: 300°F
- 3/8" FPT inlet x 1/4" FPT outlet
- Weight: 24 oz



Part No.	Original No.	Description
<b>8.711-345.0</b>	<b>860447</b>	Hotsy Gun
<b>8.717-658.0</b>	<b>877471</b>	Hotsy Gun Repair Kit



- **PSI: 4500**
- GPM: 10
- Temperature: 300°F
- 3/8" FPT inlet x 1/4" FPT outlet
- Weight: 26 oz



Part No.	Original No.	Description
<b>8.711-346.0</b>	<b>691867</b>	Hotsy Gun
<b>8.717-660.0</b>	<b>753179</b>	Hotsy Gun Repair Kit

**HOTSY Lance Grip**



- Easily fastened to any 1/4" wand
- 12" in length
- Zytel material for long life



Part No.	Original No.	Description
<b>8.717-661.0</b>	<b>859762</b>	12" Insulated Grip

**HOTSY Side Handle**

Side handle easily adjusts to provide a safe, ergonomic addition to any straight Lance.



- Easily attaches to metal lances
- Fits 1/4" lances



Part No.	Original No.	Description
<b>8.706-670.0</b>	<b>859763</b>	Wand Side Handle

**HOTSY Dual Lance**



The Hotsy dual lance simply out classes the competition. 35" and 48" length to meet UL Standards. Designed specifically for Hotsy to our specifications.



- PSI: 3000
- Temperature: 220°F
- For use with downstream injection
- Detergent control side handle

Part No.	Original No.	Description
<b>8.711-314.0</b>	<b>878912</b>	35" Cold Water
<b>8.711-315.0</b>	<b>878913</b>	35" Hot Water w/ Grip
<b>8.711-313.0</b>	<b>878911</b>	48" Hot Water w/ Grip
<b>8.717-662.0</b>	<b>877600</b>	Repair Kit
<b>8.711-316.0</b>	<b>878918</b>	Brass Body
<b>8.717-268.0</b>	<b>861420</b>	Handle, Valve

**HOTSY Hot Water Lance**



Hotsy quality through and through. Superior heat protection with zytel insulated grips.



- PSI: 4000
- Temperature: 220°F
- 1/4" plated steel pipe
- 1/4" threads
- Zytel insulated grips

Part No.	Original No.	Description
<b>8.711-274.0</b>	<b>936610</b>	15" Lance w/ Grip
<b>8.752-893.0</b>		28" Lance w/ Grip
<b>8.904-324.0</b>		36" Lance w/ Nozzle Protector
<b>8.725-389.0</b>		36" Lance w/ Grip & Side Handle
<b>8.725-388.0</b>		48" Lance w/ Grip & Side Handle
<b>8.752-896.0</b>		60" Lance w/ Grip
<b>8.752-897.0</b>		79" Lance w/ Grip

**HOTSY Cold Water Lances**



- **PSI: 3000**
- 1/4" plated steel pipe
- 1/4" threads

Part No.	Original No.	Description
<b>9.802-214.0</b>	<b>936701</b>	36" Lance w/ Side Handle
<b>8.711-272.0</b>	<b>768391</b>	48" No Side Handle, 4000 PSI

# HOTSY High-Pressure Hose

*For use with: hot or cold-water pressure washer*

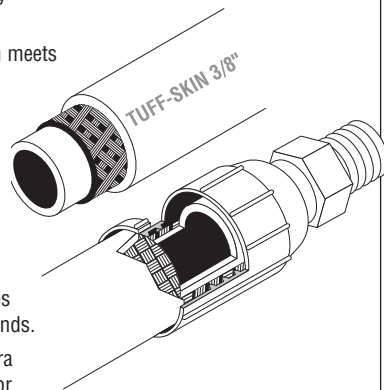
There is no other high-pressure hose as tough as HOTSY's Tuff-Skin™ hose. When tested to ISO 6945 / DIN 20024, the Tuff-Skin has proven to be seven times more abrasion resistant than standard pressure washer hoses yet is 20% more flexible. The Tuff-Skin, with its unique design, has been engineered for a greater continuous temperature range—from -40° to 275°F / 310°F intermittent—and for handling pressures of up to 6000 PSI.

Both single-and double-wire braid hoses come with durable plastic sleeves on both ends—including a 24-inch sleeve on the gun end—for added operator protection against high-pressure bursts.

The Tuff-Skin has a “bite-the-wire” coupling that grips the hose better than any other design.



- **Higher Temperature Rating:** Tuff-Skin hoses are rated for continuous temperatures up to 275°F / 310°F intermittent.
- **Special Wire Braid:** Unique design of braid gives Tuff-Skin hose added durability, greater working pressure and higher impulse cycle in both the double-and single-wire products.
- **Easily Identified:** Permanently embossed identification makes for easy tracing and owner protection.
- **Certified Burst Protection:** Tuff-Skin meets the stringent UL-1776 safety standards with two hose guards—including a 24-inch sleeve on the gun end—for added operator protection against bursts.
- **Higher Abrasion Resistance:** The Tuff-Skin cover has been specially compounded to deliver 7 times the abrasion resistance of other brands.
- **Additional Flexibility:** Even with extra durability, the braid design allows for 20% more flexibility than other brands.
- **Unique Coupling:** A “bite-the-wire” coupling actually reaches the wire braid for never-slip retention, far superior to the “compression” fittings used on conventional hoses.



## Tuff-Skin 1-Wire 4000 PSI Hose



- Hotsy branded bend black restrictor
- Wrapped impression, maximum oil resistant tube and cover with black hose guard, both ends
- Rated to 275°F

Part No.	Size	ID	Temp	Fittings	PSI
<b>3/8" MPT Swivel x 3/8 MPT Swivel</b>					
8.739-015.0	25'	3/8	275°F	SWxSW	4000
8.739-016.0	50'	3/8	275°F	SWxSW	4000
8.739-017.0	75'	3/8	275°F	SWxSW	4000
8.739-018.0	100'	3/8	275°F	SWxSW	4000
8.739-019.0	150'	3/8	275°F	SWxSW	4000
8.916-332.0	Case of 75 (of 8.739-016.0) - 3/8" x 50 ft Hoses				
8.916-336.0	Case of 40 (of 8.739-018.0) - 3/8" x 100 ft Hoses				
<b>3/8" MPT Swivel x 3/8 MPT Solid</b>					
8.739-010.0	25'	3/8	275°F	SWxSO	4000
8.739-011.0	50'	3/8	275°F	SWxSO	4000
8.739-012.0	75'	3/8	275°F	SWxSO	4000
8.739-013.0	100'	3/8	275°F	SWxSO	4000
8.739-014.0	150'	3/8	275°F	SWxSO	4000

## Tuff-Skin 2-Wire 6000 PSI Hose



- Hotsy branded bend red restrictor
- Wrapped impression, maximum oil resistant tube and cover with red hose guard, both ends
- Rated to 275°F

Part No.	Size	ID	Temp	Fittings	PSI
<b>3/8" MPT Swivel x 3/8 MPT Swivel</b>					
8.739-059.0	25'	3/8	275°F	SWxSW	6000
8.739-060.0	50'	3/8	275°F	SWxSW	6000
8.739-061.0	75'	3/8	275°F	SWxSW	6000
8.739-062.0	100'	3/8	275°F	SWxSW	6000
8.739-063.0	150'	3/8	275°F	SWxSW	6000
<b>3/8" MPT Swivel x 3/8 MPT Solid</b>					
8.739-053.0	25'	3/8	275°F	SWxSO	6000
8.739-054.0	50'	3/8	275°F	SWxSO	6000
8.739-055.0	75'	3/8	275°F	SWxSO	6000
8.739-056.0	100'	3/8	275°F	SWxSO	6000
8.739-057.0	150'	3/8	275°F	SWxSO	6000

## Tuff-Flex 5000 PSI 2-Wire Hose

Tuff-Flex hose has the same durable cover as the Tuff-Skin hose.



- Hotsy branded red bend restrictor
- Wrapped impression, maximum oil resistant tube and cover
- 50% greater flexibility
- 7 times greater abrasion resistance
- Hose guard on both ends
- 3/8" MPT Swivel x 3/8" MPT Swivel

Part No.	Size	ID	Temp	Fittings	PSI
3/8" MPT Swivel x 3/8" MPT Swivel					
<b>8.739-192.0</b>	25'	3/8	275°F	SWxSW	5000
<b>8.739-193.0</b>	50'	3/8	275°F	SWxSW	5000
<b>8.739-194.0</b>	75'	3/8	275°F	SWxSW	5000
<b>8.739-195.0</b>	100'	3/8	275°F	SWxSW	5000
<b>8.739-196.0</b>	150'	3/8	275°F	SWxSW	5000
<b>8.916-334.0</b>	Case of 75 (of 8.739-193.0) - 3/8" x 50 ft Hoses				
<b>8.916-333.0</b>	Case of 40 (of 8.739-195.0) - 3/8" x 100 ft Hoses				

Part No.	Size	ID	Temp	Fittings	PSI
3/8" MPT Swivel x 3/8" MPT Solid					
<b>8.739-182.0</b>	25'	3/8	275°F	SWxSO	5000
<b>8.739-183.0</b>	50'	3/8	275°F	SWxSO	5000
<b>8.739-184.0</b>	75'	3/8	275°F	SWxSO	5000
<b>8.739-185.0</b>	100'	3/8	275°F	SWxSO	5000
<b>8.739-186.0</b>	150'	3/8	275°F	SWxSO	5000

## Tuff-Flex 1-Wire 3000 PSI Blue Non-Mar Hose



- Hotsy branded black bend restrictor
- Smooth, maximum oil resistant tube blue non-marking cover.
- 20% greater flexibility
- 7 times greater abrasion resistance
- 3/8" MPT Swivel x 3/8" MPT Swivel

Part No.	Size	ID	Temp	PSI	Color
<b>8.739-121.0</b>	50'	3/8	250°F	3000	Blue
<b>8.739-123.0</b>	100'	3/8	250°F	3000	Blue

## Tuff-Flex 2-Wire 4500 PSI Blue Non-Mar Hose



- Hotsy branded red bend restrictor
- Smooth, maximum oil resistant tube blue non-marking cover.
- 20% greater flexibility
- 7 times greater abrasion resistance
- Built to SAE 100R1AT OD dimensions
- 3/8" MPT Swivel x 3/8" MPT Swivel

Part No.	Size	ID	Temp	PSI	Color
<b>8.739-198.0</b>	50'	3/8	250°F	4500	Blue
<b>8.739-200.0</b>	100'	3/8	250°F	4500	Blue

## HOTSY Fuel Filter/ Water Separator



- Extends life of fuel system
- Clear sediment bowl and washable screen
- Drain valve
- Filters gasoline and diesel fuel

Part No.	Original No.	Description
<b>8.717-710.0</b>	<b>851084</b>	Filter, Fuel/ Oil Water Separator
<b>8.717-711.0</b>	<b>875490</b>	Replacement Screen

## Fuel Filter/Water Separator



- 10 micron filtration
- Spin-on convenience
- Water separation chamber
- 1/4" FPT inlet/outlet
- Easy drain water/sediment bowl

Part No.	Description
<b>8.749-771.0</b>	Complete Unit
<b>8.749-770.0</b>	Element

## Touch-Up Paint



- Matches the color on your Hotsy
- Comes in aerosol or dab/brush

Part No.	Original No.	Description
<b>8.720-519.0</b>	<b>910215</b>	12 oz Aerosol - Red
<b>8.723-214.0</b>	<b>503.088</b>	12 oz Aerosol - APW Gray
<b>8.720-392.0</b>	<b>910216</b>	.6 fl oz Capbrush - Red

NOTE: Aerosol containers cannot ship UPS Air



## Hotsy Hose Reels

### Fully assembled and ready to use!

Hotsy hose reels were designed for ease of use and durability in commercial pressure washer applications.

Offering 100' and 200' reels in both a fixed base and 360 degree rotating base. The oversized reel holds the advertised length plus leaves additional space reducing the difficulty of reeling hose. The unique extended swivel improves the hose connection and reduces hose wear and stress.

#### Features:

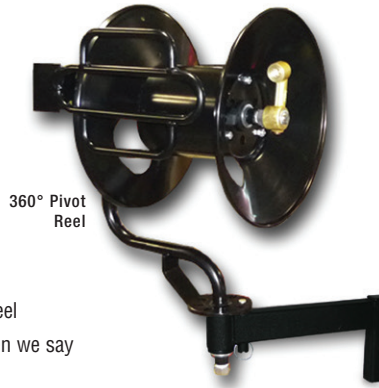
- Rugged heavy-duty construction for commercial applications.
  - Heavy gauge steel fabrication
  - Gloss black powder coating
  - Easy to use brake mechanism reduces unwinding backlash
  - Oversized heavy-duty locking mechanism prevents slippage during reel operation.
  - Durable handle
- "Flip-Over" hose guide: Allows ease of use from either side of the reel
- Oversized: Oversized to easily fit the advertised length of hose. When we say 100' we mean 100+ feet will easily fit.
- Swivel design: The reels come with an extended swivel which prevents bends and stress on the hose where it attaches to the reel.
- Rotary mount: 360 degree rotation with an oversized heavy-duty locking mechanism. Allows for continual alignment with the hose.
  - Mount to round or square tubing
- Fully assembled: Ready to use out of the box. Saves time and money.
- 2-year warranty on the swivel

#### Specifications:

- 5000 PSI
- 325°F
- 100' and 200' fixed base
- 100' and 200' 360 degree rotating base
- High pressure double seal swivels.



Fixed Base Hose Reel



360° Pivot Reel

Part No.	Description	Length
<b>8.750-486.0</b>	Pivot Reel	100' x 3/8"
<b>8.750-483.0</b>	Pivot Reel	200' x 3/8"
<b>8.750-478.0</b>	Fixed Based	100' x 3/8"
<b>8.750-481.0</b>	Fixed Based	200' x 3/8"

NOTE: Hose not included

Part #	Description
<b>8.919-430.0</b>	Universal Mount*
<b>8.919-794.0</b>	Skid Mount*
<b>8.919-437.0</b>	Wall Mount*
<b>8.919-434.0</b>	Base Mount*
<b>8.919-072.0</b>	Bracket, Universal*
<b>8.919-445.0</b>	Bracket, 90°*
<b>8.919-441.0</b>	Bracket, 45°*
<b>8.919-448.0</b>	Bracket, Vertical*

#### Bracket Sockets



Universal Mount    Skid Mount    Wall Mount    Base Mount

#### Non-Pivot Reel Brackets



Universal    90°    45°    Vertical

### Fixed Base Hose Reels & Mounting Bracket Options

Hot Water Electric Models	Connector Hose*	Bracket #1 45° Arm	Bracket #2 90° Arm	Bracket #3 Vertical Arm
<b>555SS</b>	8.901-464.0 (4 ft)	8.919-441.0	8.919-445.0	8.919-448.0
<b>560SS</b>	8.901-472.0 (6 ft)	8.919-441.0	8.919-445.0	8.919-448.0
<b>680SS</b>	8.901-464.0 (4 ft)	8.919-441.0	8.919-445.0	8.919-448.0
<b>790SS</b>	8.901-464.0 (4 ft)	8.919-441.0	8.919-445.0	8.919-448.0
<b>795SS</b>	8.901-464.0 (4 ft)	8.919-441.0	8.919-445.0	8.919-448.0
<b>795SS-208</b>	8.901-464.0 (4 ft)	8.919-441.0	8.919-445.0	8.919-448.0
<b>895SS</b>	8.901-464.0 (4 ft)	8.919-441.0	8.919-445.0	8.919-448.0
<b>800 Series</b>	8.901-472.0 (6 ft)	8.919-441.0	8.919-445.0	8.919-448.0

### Hotsy 360° Pivot Hose Reels & Connector Hose Options

NOTE: Models come standard with pivot reel receptacle - no additional bracket is required.

Hot Water Electric Models	Connector Hose*
<b>555SS</b>	8.901-460.0 (3 ft)
<b>560SS</b>	8.901-464.0 (4 ft)
<b>680SS</b>	8.901-464.0 (4 ft)
<b>790SS</b>	8.901-464.0 (4 ft)
<b>795SS</b>	8.901-464.0 (4 ft)
<b>795SS-208</b>	8.901-464.0 (4 ft)
<b>895SS</b>	8.901-464.0 (4 ft)
<b>800 Series</b>	8.901-472.0 (6 ft)

Pressure washer hose not included

\*Required to connect hose reel to pressure washer. Can be found on page 48.



## HOTSYS Twist Quick Couplers



- Precision brass design
- Unrestricted free flow
- 4000 PSI max

**Swivels**, designed for 4000 PSI and extended durability. Affordable and rugged all in one.

Part No.	Original No.	Description
8.717-562.0	826301	1/4" FNPT
8.707-189.0	826300	3/8" FNPT
8.717-568.0	826304	1/2" FNPT

Part No.	Original No.	Description
8.717-561.0	826303	1/4" MNPT
8.717-560.0	826302	3/8" MNPT
8.717-567.0	826305	1/2" MNPT



- Zinc plated
- Hardened steel
- 4000 PSI max

**Zinc Plated Nipples**, hardened steel combined with zinc yellow chromate plating holds up to the harshest environments.

Part No.	Original No.	Description
8.717-564.0	826291	1/4" FNPT
8.707-187.0	826290	3/8" FNPT
8.717-566.0	826294	1/2" FNPT

Part No.	Original No.	Description
8.717-563.0	826293	1/4" MNPT
8.707-188.0	826292	3/8" MNPT
8.717-565.0	826295	1/2" MNPT

**Replacement O-rings**, for HOTSYS twist coupler, Buna-n.

Part No.	Original No.	Description
8.717-230.0	926660	Replacement O-ring

## Two-Gun Tee Coupler



**Two-Gun Tee Coupler** makes switching from one gun to two a snap. 3/8" quick coupler fittings good up to 4000 PSI.



- For use with dual gun systems
- Couples onto outlet nipple
- 3/8" couplers

Part No.	Original No.	Description
8.902-421.0	2-2014	Two Gun Splitter

## Adjustable Nozzle



Compact full feature unit weighs only 4.3 oz., same functions as ST-51N.



- 3600 PSI
- 10 GPM
- 300°F
- Machined brass body
- Nylon adjustment knob
- 1/4 FPT inlet/outlet

Part No.	Original No.	Description
9.802-950.0	900260	Adjustable Nozzle

## ST-56 Rollover Nozzle Head



- Brass body
- 3600 PSI
- 8 GPM
- 300°F
- Glass-filled polyamide cover
- 1/4" FPT inlet & outlet

Part No.	Original No.	Description
8.712-411.0	901183	Rollover Nozzle Head



## HOTSY Nozzles



1/4" Nozzle

**1/4" male pipe thread nozzles**, rated up to 5100 PSI. Hardened stainless steel nozzle insures consistent, accurate orifice size.

Nozzle Size	0° Part No.	0° Orig. No.	15° Part No.	15° Orig. No.	40° Part No.	40° Orig. No.
4.0	8.711-375.0	900850	8.711-377.0	900851	8.711-380.0	900852
4.5	8.711-383.0	900854	8.711-385.0	900847	8.711-388.0	900848
5.0	8.711-389.0	900842	8.711-392.0	900843	8.711-395.0	900844
5.5	8.711-396.0	900858	8.711-398.0	900859	8.711-402.0	900860
6.0	8.711-404.0	900861	8.711-406.0	900862	8.711-411.0	900864
6.5	-	-	8.711-412.0	900800	8.711-414.0	900801
7.0	8.711-416.0	900894	8.711-417.0	900895	8.711-419.0	900896
7.5	8.711-422.0	900898	8.711-423.0	900899	-	-
8.0	8.707-723.0	727742	8.711-424.0	900903	8.711-426.0	900905
8.5	8.711-427.0	900917	8.711-429.0	900918	8.711-432.0	900920
9.0	8.711-434.0	900929	8.711-435.0	900930	8.711-438.0	900932
12	-	-	8.707-766.0	727786	8.707-768.0	251435
15	8.711-447.0	900376	8.711-448.0	900377	8.707-790.0	799206
20	8.707-795.0	727752	8.711-452.0	900422	8.707-804.0	900973
40	-	-	8.707-824.0	900991	-	-

## HOTSY Adjustable Fan Nozzle



- 3000 PSI
- 300°F
- 1/4" inlet

**3000 maximum PSI**, Vari-fan nozzle easily adjusts from 0° to 80° fan size with a simple twist of the nozzle head.

Part No.	Orig No.	Orifice
<b>8.712-400.0</b>	<b>799100</b>	3.5
<b>8.712-401.0</b>	<b>799101</b>	4.0
<b>8.712-407.0</b>	<b>799102</b>	4.5
<b>8.712-402.0</b>	<b>799103</b>	5.0
<b>8.712-408.0</b>	<b>799104</b>	5.5

Part No.	Orig No.	Orifice
<b>8.712-406.0</b>	<b>799119</b>	6.0
<b>8.712-569.0</b>	<b>799105</b>	6.5
<b>8.712-410.0</b>	<b>799106</b>	7.5
<b>8.712-690.0</b>	<b>753112</b>	Repair Kit

## HOTSY High / Low Adjustable Fan Nozzle



- 3000 PSI
- 200°F
- Low pressure soap injection
- 1/4" inlet

**All the features** of the variable fan nozzle. Plus with a pull, nozzle lowers pressure for chemical application.

Part No.	Orig No.	Orifice
<b>8.717-576.0</b>	<b>799169</b>	3.0
<b>8.717-570.0</b>	<b>799107</b>	3.5
<b>8.717-571.0</b>	<b>799108</b>	4.0
<b>8.712-404.0</b>	<b>799109</b>	4.5
<b>8.717-572.0</b>	<b>799110</b>	5.0
<b>8.712-403.0</b>	<b>799111</b>	5.5

Part No.	Orig No.	Orifice
<b>8.717-575.0</b>	<b>799124</b>	6.0
<b>8.717-573.0</b>	<b>799112</b>	6.5
<b>8.717-574.0</b>	<b>799113</b>	7.5
<b>8.717-691.0</b>	<b>753113</b>	Repair Kit

## Hotsy Nozzle Protector



- Fits 1/4" lances
- Protects nozzles from damage

Part No.	Original No.	Description
<b>8.717-320.0</b>	<b>918392</b>	1/4" Nozzle Protector

**The HOTSY Pump - Engineered for durability and performance.  
Provides 3 times longer seal life.**



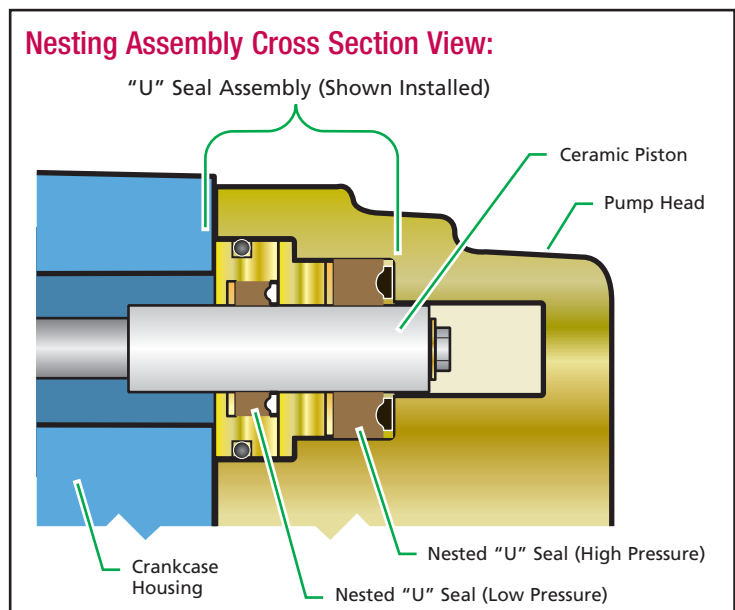
Hotsy Pumps featuring NESTechnology™

What is NESTechnology™? It stands for Nested Seal Technology, where the pump actually “nests” the seals of the pump’s high-pressure packing assembly in place, supporting the side walls, and resulting in greatly increased seal life.

The unique technology of the nesting assembly includes new high and low-pressure U-shaped seals surrounded by thicker brass pressure rings. This provides better wall support while withstanding higher water temperatures. This results in Hotsy pumps having 3 times the seal life over similar pumps in the industry.

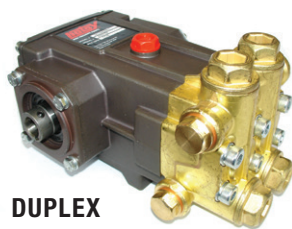
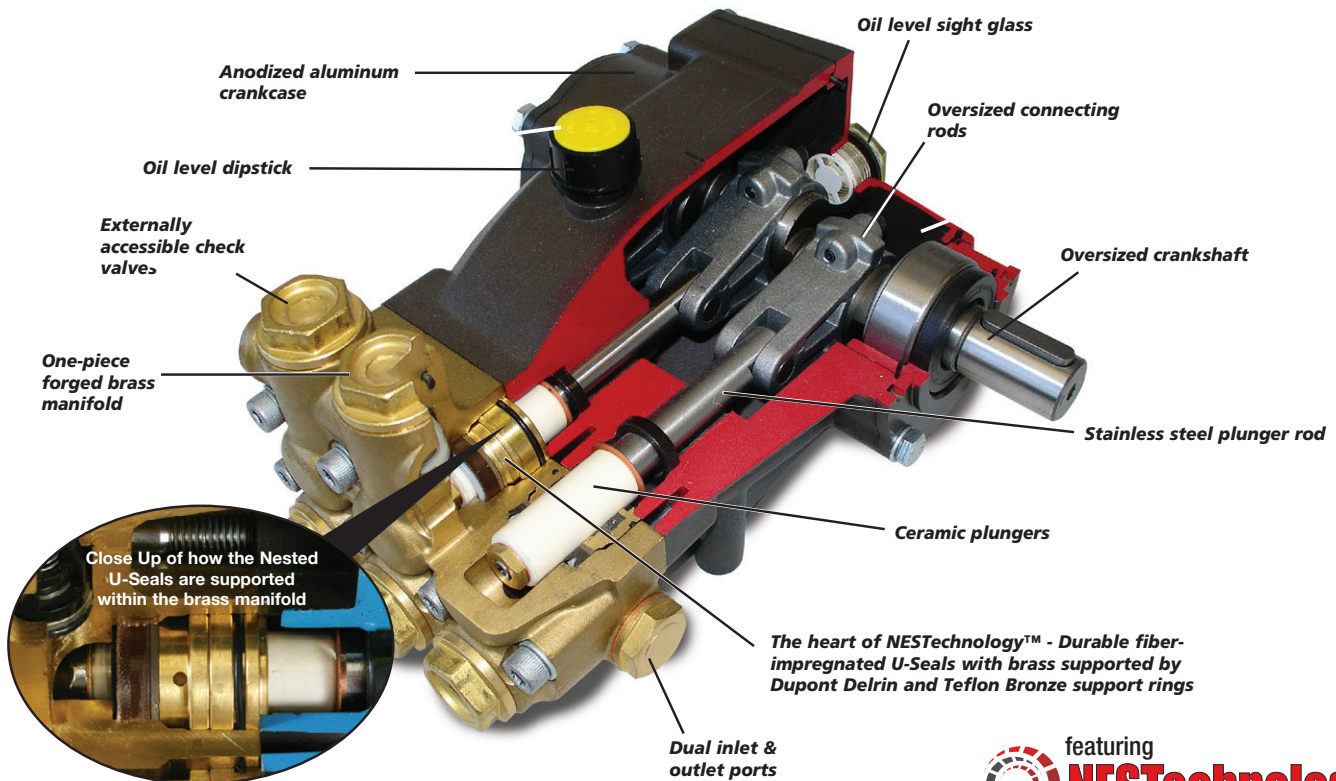
- Extended time between seal replacement, greatly reducing maintenance costs.
- Teflon bronze rings support the U-Seal to prevent premature wear and loss of pressure.
- The low-pressure U-Seal has a unique double lip to provide for greater suction and less chance of water leakage.
- Increased wall thickness of the brass pressure rings resist cracking and provide a solid foundation for the seals.
- The nesting assembly is stronger and holds up better to spikes in water pressure, which occur every time the gun is triggered.
- Existing Hotsy pumps can be upgraded to utilize NESTechnology’s unique nesting assembly. All parts are interchangeable, and fit within the brass manifold.
- Seals are rated for temperatures up to 185°F.

Seals are a wear item in a pump because of the intense pressure they are subjected to. Hotsy’s nested seal technology holds up better, and has improved the seal life by changing the geometry of the packing assembly and providing greater support to the seals. The end result is a high-performance pump with extended service life.



## The Hotsy Pump's rugged design features many benefits:

- Four frame sizes: one duplex, and three triplex sizes - small, medium, large
- Externally accessible check valves
- Two inlet and discharge ports facilitate system installation
- Anodized aluminum crankcase
- Polished ceramic plungers reduce seal wear
- Oversized crankshaft and connecting rods
- Heavy-duty roller bearings or heavy-duty tapered roller bearings
- Internally-ported, self-lubricating seals
- Pumps available for pulley, direct or gear-reducer drive
- 7-year warranty on the oil-end of the pump



### DUPLEX SERIES: Direct Drive

Part No.	Model/Orig. No.	GPM	PSI	HP	RPM	Shaft	Weight
8.904-909.0	HHC165L.1	2.2	1500	2.3	1725	5/8" Hollow	13 lbs
8.904-915.0	HHC165R.1	2.2	1500	2.3	1725	5/8" Hollow	13 lbs
8.715-243.0	HHC168R.1	2.2	1500	2.3	1725	5/8" Hollow	13 lbs



### ST SERIES: Direct Drive

Part No.	Model/Orig. No.	GPM	PSI	HP	RPM	Shaft	Weight
8.904-911.0	HHC205L.1	2.7	1750	2.4	1725	18mm	16 lbs
8.715-241.0	HHC235R.1	3.0	1500	3.1	1725	5/8" Hollow - C-Face	16 lbs
8.904-920.0	HHC240.1	3.5	1750	4.1	1725	5/8" Hollow	16 lbs



**HOTSYS Pumps (continued)**



**SST**

**SST SERIES: Belt Drive**

Part No.	Model/Orig. No.	GPM	PSI	HP	RPM	Shaft	Weight
8.904-908.0	HHC340R.1	4.0	2000	5.5	1740	24mm	16 lbs.
8.715-267.0	HHS340R.1	4.0	2500	4.6	3400	24mm	16 lbs.
8.715-262.0	HHS330R.1	3.2	2500	5.7	3400	24mm	16 lbs.



**HM.3**

**HM.3 SERIES: Belt Drive**

Part No.	Model/Orig. I No.	GPM	PSI	HP	RPM	Shaft	Weight
8.751-179.0	HM3540R.3	3.5	4000	9.5	1850	24mm Right	21 lbs
8.751-180.0	HM4035R.3	4.8	3500	11.5	1500	24mm Right	21 lbs
8.751-181.0	HM4035L.3	4.8	3500	11.5	1500	24mm Left	21 lbs
8.923-100.0	HM4031R.3	4.0	3000	8.2	1725	24mm Right	21 lbs
8.923-101.0	HM4031L.3	4.0	3000	8.2	1725	24mm Left	21 lbs
8.923-165.0	HM4030R.3	4.0	3000	8.2	1000	24mm Right	21 lbs
8.923-166.0	HM4030L.3	4.0	3000	8.2	1000	24mm Left	21 lbs



**HT**

**HT SERIES: Belt Drive**

Part No.	Model/Orig. I No.	GPM	PSI	HP	RPM	Shaft	Weight
8.921-718.0	HT4540.R.2	4.5	4000	12.3	1360	25mm Right	33 lbs
8.921-719.0	HT4540.L.2	4.5	4000	12.3	1360	25mm Left	33 lbs
8.921-720.0	HT6036.R.2	6.0	3600	14.7	1450	25mm Right	33 lbs
8.921-721.0	HT6036.L.2	6.0	3600	14.7	1450	25mm Left	33 lbs



**HX**

**HX SERIES: Belt Drive**

Part No.	Model/Orig. No.	GPM	PSI	HP	RPM	Shaft	Weight
8.920-583.0	HX5843R.2	5.8	4350	17.3	1740	25mm Right	38 lbs
8.920-584.0	HX8043R.2	8.0	4350	23.8	1740	25mm Right	38 lbs
8.920-585.0	HX9536R.2	9.5	3625	16.4	1740	25mm Right	38 lbs
8.920-586.0	HX9536L.2	9.5	3625	23.6	1740	25mm Left	38 lbs
8.920-587.0	HX1036R.2	10.4	3625	23.6	1740	25mm Right	38 lbs
8.920-588.0	HX1036L.2	10.4	3625	25.8	1740	25mm Left	38 lbs



**HOTSY Pumps (continued)**



**HS.3**

**HS.3 SERIES: Direct Drive**

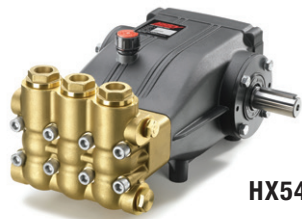
Part No.	Model	GPM	PSI	HP	RPM	Shaft	Weight
8.751-182.0	HS3040G.3	3.0	4000	11.5	3400	1" Hollow	23 lbs
8.751-183.0	HS3540G.3	3.5	4000	13.5	3400	1" Hollow	23 lbs
8.751-184.0	HS4040G.3	4.0	4000	15.4	3400	1" Hollow	23 lbs
8.751-185.0	HS5030G.3	5.0	3000	15.4	3400	1" Hollow	23 lbs



**HD.1**

**HD.1 SERIES: Belt Drive**

Part No.	Model/Orig. No.	GPM	PSI	HP	RPM	Shaft	Weight
8.725-168.0	HD3025.1	3.0	2500	5.1	1180	24mm	16 lbs
8.904-730.0	HD3030.1	3.0	3000	6.2	1650	24mm	16 lbs
8.916-561.0	HD4020.1	4.0	2000	5.5	1550	24mm	16 lbs



**HX5450**

**HX5450 SERIES: Belt Drive**

Part No.	Model/Orig. No.	GPM	PSI	HP	RPM	Shaft	Weight
8.921.659.0	HX5450R	5.4	5000	18.3	1740	25mm Right	43 lbs
8.921.660.0	HX5450L	5.4	5000	18.3	1740	25mm Left	43 lbs



**HG.1.1**

**HG.1.1 SERIES: Direct Drive**

Part No.	Model/Orig. No.	GPM	PSI	HP	RPM	Shaft	Weight
8.904-748.0	HG2530G.1	2.5	3000	7.2	3400	3/4" Hollow	16.5 lbs
8.904-750.0	HG3030G.1	3.0	3000	8.6	3400	3/4" Hollow	16.5 lbs
8.904-752.0	HG3035G1.1	3.0	3500	10.1	3400	1" Hollow	18 lbs
8.916-562.0	HG3535G1.1	3.5	3500	11.7	3400	1" Hollow	18 lbs
8.916-563.0	HG4030G1.1	4.0	3000	11.5	3400	1" Hollow	18 lbs



**HHS335CR**

**HHS335CR SERIES: Direct Drive**

Part No.	Model/Orig. No.	GPM	PSI	HP	RPM	Shaft	Weight
8.715-268.0	HHS335CR.1	3.0	2500	5.1	3600	3/4" Hollow	24.5 lbs



**HE.1**

**HE SERIES: Direct Drive**

Part No.	Model/Orig. No.	GPM	PSI	HP	RPM	Shaft	Weight
8.904-722.0	HE2020F.1	2.0	2000	2.9	3450	5/8" Hollow	17 lbs
8.904-724.0	HE2020S.1	2.0	2000	2.9	1725	5/8" Hollow	17 lbs
8.916-564.0	HE2825F.1	2.8	2500	4.8	3400	5/8" Hollow	17 lbs
8.904-727.0	HE2825S.1	2.8	2500	4.8	1725	5/8" Hollow	17 lbs
8.725-167.0	HE3525F.1	3.5	2500	6	3400	3/4" Hollow	17 lbs

## HOTSYPump Repair Kit Selection Chart

Use the selection chart below to find the correct repair kits for the specific Hotsy Pump Model.

Pump Model	Seal Type	Seal Kit (qty / pump)	Complete Seal Kit (qty / pump)	Valve Kit (qty / pump)	Plunger Oil Seal Kit (qty / pump)	Ceramic Sleeve (qty / pump)
H300	U	8.725-362.0 (1)	8.725-407.0 (3)	8.717-584.0 (6)	8.717-618.0 (1)	8.717-617.0 (3)
H300A	U	8.725-362.0 (1)	8.725-407.0 (3)	8.717-584.0 (6)	8.717-618.0 (1)	8.717-617.0 (3)
H300R	U	8.725-362.0 (1)	8.725-407.0 (3)	8.717-584.0 (6)	8.717-618.0 (1)	8.717-617.0 (3)
H400	U	8.725-362.0 (1)	8.725-407.0 (3)	8.717-584.0 (6)	8.717-618.0 (1)	8.717-617.0 (3)
H400A	U	8.725-362.0 (1)	8.725-407.0 (3)	8.717-584.0 (6)	8.717-618.0 (1)	8.717-617.0 (3)
H400R	U	8.725-362.0 (1)	8.725-407.0 (3)	8.717-584.0 (6)	8.717-618.0 (1)	8.717-617.0 (3)
H450	U	8.916-488.0 (1)	8.725-404.0 (3)	8.717-584.0 (6)	8.717-585.0 (1)	8.717-586.0 (3)
H500	U	8.916-487.0 (1)	8.725-405.0 (3)	8.717-584.0 (6)	8.717-585.0 (1)	8.717-601.0 (3)
H600	U	8.725-364.0 (1)	8.725-401.0 (3)	8.717-584.0 (6)	8.717-585.0 (1)	9.802-614.0 (3)
H700	U	8.725-364.0 (1)	8.725-401.0 (3)	8.717-584.0 (6)	8.717-585.0 (1)	9.802-614.0 (3)
HC165	U	8.725-362.0 (1)	8.725-408.0 (2)	8.717-584.0 (4)	8.717-587.0(1)	8.717-670.0 (2)
HC165R	U	8.725-362.0 (1)	8.725-408.0 (2)	8.717-584.0 (4)	8.717-587.0(1)	8.717-670.0 (2)
HC168R	U	8.717-623.0 (1)	8.717-671.0 (2)	8.717-584.0 (4)	8.717-587.0(1)	8.717-670.0 (2)
HC205AL	U	8.725-360.0 (1)	8.725-415.0 (3)	8.717-584.0 (6)	8.717-585.0 (1)	8.717-632.0 (3)
HC215	U	8.725-362.0 (1)	8.725-407.0 (3)	8.717-584.0 (6)	8.717-585.0 (1)	8.717-617.0 (3)
HC235	U	8.725-362.0 (1)	8.725-407.0 (3)	8.717-584.0 (6)	8.717-585.0 (1)	8.717-617.0 (3)
HC240	U	8.725-362.0 (1)	8.725-407.0 (3)	8.717-584.0 (6)	8.717-585.0 (1)	8.717-617.0 (3)
HC240A	U	8.725-360.0 (1)	8.725-415.0 (3)	8.717-584.0 (6)	8.717-585.0 (1)	8.717-632.0 (3)
HC280	U	8.725-362.0 (1)	8.725-407.0 (3)	8.717-584.0 (6)	8.717-585.0 (1)	8.717-617.0 (3)
HC340R	U	8.725-360.0 (1)	8.725-418.0 (3)	8.717-590.0 (6)	8.717-618.0 (1)	9.803-935.0 (3)
HC450	U	8.725-362.0 (1)	8.725-407.0 (3)	8.717-584.0 (6)	8.717-618.0 (1)	8.717-617.0 (3)
HC450A	U	8.725-362.0 (1)	8.725-407.0 (3)	8.717-584.0 (6)	8.717-618.0 (1)	8.717-617.0 (3)
HC450R	U	8.725-362.0 (1)	8.725-407.0 (3)	8.717-584.0 (6)	8.717-618.0 (1)	8.717-617.0 (3)
HC460AL	U	8.725-362.0 (1)	8.725-407.0 (3)	8.717-584.0 (6)	8.717-618.0 (1)	8.717-617.0 (3)
HC460AR	U	8.725-362.0 (1)	8.725-407.0 (3)	8.717-584.0 (6)	8.717-618.0 (1)	8.717-617.0 (3)
HC460L	U	8.725-362.0 (1)	8.725-407.0 (3)	8.717-584.0 (6)	8.717-618.0 (1)	8.717-617.0 (3)
HC460R	U	8.725-362.0 (1)	8.725-407.0 (3)	8.717-584.0 (6)	8.717-618.0 (1)	8.717-617.0 (3)
HC500	U	8.725-362.0 (1)	8.725-407.0 (3)	8.717-584.0 (6)	8.717-618.0 (1)	8.717-617.0 (3)
HC500A	U	8.725-362.0 (1)	8.725-407.0 (3)	8.717-584.0 (6)	8.717-618.0 (1)	8.717-617.0 (3)
HC500R	U	8.725-362.0 (1)	8.725-407.0 (3)	8.717-584.0 (6)	8.717-618.0 (1)	8.717-617.0 (3)
HC600	U	8.916-488.0 (1)	8.725-404.0 (3)	8.717-584.0 (6)	8.717-585.0 (1)	8.717-586.0 (3)
HC800	U	8.725-364.0 (1)	8.725-401.0 (3)	8.717-584.0 (6)	8.717-585.0 (1)	9.802-614.0 (3)
HC930R	U	8.916-488.0 (1)	8.725-404.0 (3)	8.717-591.0 (6)	8.717-585.0 (1)	8.717-586.0 (3)
HC940R	U	8.916-487.0 (1)	8.725-405.0 (3)	8.717-589.0 (6)	8.717-585.0 (1)	8.717-601.0 (3)
HC950R	U	8.725-364.0 (1)	8.725-401.0 (3)	8.717-589.0 (6)	8.717-585.0 (1)	9.802-614.0 (3)
HD3025	U	8.725-356.0 (1)	8.725-357.0 (3)	9.803-936.0 (1)	9.803-937.0 (1)	9.803-935.0 (3)
HD3030H	U	9.804-076.0 (1)	9.804-077.0 (3)	9.803-936.0 (1)	9.803-937.0 (1)	9.803-934.0 (3)
HD4020	U	8.725-356.0 (1)	8.725-357.0 (3)	9.803-936.0 (1)	9.803-937.0 (1)	9.803-935.0 (3)
HE2020F	U	8.725-354.0 (1)	8.725-355.0 (3)	9.803-936.0 (1)	9.803-937.0 (1)	9.803-934.0 (3)
HE2020S	U	8.725-356.0 (1)	8.725-357.0 (3)	9.803-936.0 (1)	9.803-937.0 (1)	9.803-935.0 (3)
HE2825F	U	8.725-354.0 (1)	8.725-355.0 (3)	9.803-936.0 (1)	9.803-937.0 (1)	9.803-934.0 (3)
HE2825S	U	8.725-356.0 (1)	8.725-357.0 (3)	9.803-936.0 (1)	9.803-937.0 (1)	9.803-935.0 (3)
HE3525F	U	8.725-354.0 (1)	8.725-355.0 (3)	9.803-936.0 (1)	9.803-937.0 (1)	9.803-934.0 (3)
HG2530G	U	8.725-354.0 (1)	8.725-355.0 (3)	9.803-936.0 (1)	9.803-937.0 (1)	9.803-934.0 (3)
HG3030G	U	8.725-354.0 (1)	8.725-355.0 (3)	9.803-936.0 (1)	9.803-937.0 (1)	9.803-934.0 (3)
HG3035G	U	8.725-354.0 (1)	8.725-355.0 (3)	9.803-936.0 (1)	9.803-937.0 (1)	9.803-934.0 (3)
HG3535G	U	8.725-354.0 (1)	8.725-355.0 (3)	9.803-936.0 (1)	9.803-937.0 (1)	9.803-934.0 (3)
HG4030G	U	8.725-354.0 (1)	8.725-355.0 (3)	9.803-936.0 (1)	9.803-937.0 (1)	9.803-934.0 (3)
HH5050	U	9.804-492.0 (1)	9.804-493.0 (3)	9.802-604.0 (1)	9.802-606.0 (1)	9.802-629.0 (3)
HHC300AR	U	8.725-362.0 (1)	8.725-407.0 (3)	8.717-584.0 (6)	8.717-618.0 (1)	8.717-617.0 (3)
HHC500AR	U	8.725-362.0 (1)	8.725-407.0 (3)	8.717-584.0 (6)	8.717-618.0 (1)	8.717-617.0 (3)
HHC950AR	U	8.725-364.0 (1)	8.725-401.0 (3)	8.717-589.0 (6)	8.717-585.0 (1)	9.802-614.0 (3)
HHS335CR	U	8.725-358.0 (1)	8.725-417.0 (3)	8.717-590.0 (6)	8.717-618.0 (1)	9.803-934.0 (3)
HM3540	U	8.725-358.0 (1)	8.725-359.0 (3)	9.802-603.0 (1)	9.802-609.0 (1)	8.933-023.0 (3)
HM4035	U	8.725-360.0 (1)	8.725-361.0 (3)	9.802-603.0 (1)	9.802-609.0 (1)	9.802-629.0 (3)
HS3040G	U	8.725-358.0 (1)	8.725-359.0 (3)	9.802-603.0 (1)	9.802-609.0 (1)	8.933-023.0 (3)
HS330R	U	8.725-358.0 (1)	8.725-417.0 (3)	8.717-590.0 (6)	8.717-618.0 (1)	9.803-934.0 (3)



**HOTSY Pump Repair Kit Selection Chart, continued**

Pump Model	Seal Type	Seal Kit (qty / pump)	Complete Seal Kit (qty / pump)	Valve Kit (qty / pump)	Plunger Oil Seal Kit (qty / pump)	Ceramic Sleeve (qty / pump)
HS335R	U	8.725-358.0 (1)	8.725-359.0 (3)	9.802-603.0 (1)	8.717-618.0 (1)	8.933-023.0 (3)
HS340R	U	8.717-646.0 (1)	8.717-647.0 (3)	8.717-590.0 (6)	8.717-618.0 (1)	9.803-934.0(3)
HS3540G	U	8.725-358.0 (1)	8.725-359.0 (3)	9.802-603.0 (1)	9.802-609.0 (1)	8.933-023.0 (3)
HS4040G	U	8.725-358.0 (1)	8.725-359.0 (3)	9.802-603.0 (1)	9.802-609.0 (1)	8.933-023.0 (3)
HS5030G	U	8.725-358.0 (1)	8.725-359.0 (3)	9.802-603.0 (1)	9.802-609.0 (1)	8.933-023.0 (3)
HX1025L	U	8.725-364.0 (1)	8.725-365.0 (3)	9.802-608.0 (1)	9.802-606.0 (1)	9.802-614.0 (3)
HX1025R	U	8.725-364.0 (1)	8.725-365.0 (3)	9.802-608.0 (1)	9.802-606.0 (1)	9.802-614.0 (3)
HX5050L	U	9.804-492.0 (1)	9.804-493.0 (3)	9.802-604.0 (1)	9.802-606.0 (1)	9.802-629.0 (3)
HX5050R	U	9.804-492.0 (1)	9.804-493.0 (3)	9.802-604.0 (1)	9.802-606.0 (1)	9.802-629.0 (3)
HX8030L	U	8.725-364.0 (1)	8.725-365.0 (3)	9.802-608.0 (1)	9.802-606.0 (1)	9.802-614.0 (3)
HX8030R	U	8.725-364.0 (1)	8.725-365.0 (3)	9.802-608.0 (1)	9.802-606.0 (1)	9.802-614.0 (3)
HM4035.3	U	8.725-360.0 (3)	8.725-361.0 (1)	9.802-603.0 (6)	9.802-609.0 (3)	8.751-237.0 (3)
HM3540.3	U	8.725-358.0 (3)	8.725-359.0 (1)	9.802-603.0 (6)	9.802-609.0 (3)	8.933-023.0 (3)
HH306R.2	U	8.725-407.0 (3)	8.725-362.0 (1)	8.717-584.0 (6)	8.717-618.0 (3)	8.751-238.0 (3)
HH406R.2	U	8.725-407.0 (3)	8.725-362.0 (1)	8.717-584.0 (6)	8.717-618.0 (3)	8.751-238.0 (3)
HH456R.2	U	8.725-407.0 (3)	8.725-362.0 (1)	8.717-584.0 (6)	8.717-618.0 (3)	8.751-238.0 (3)
HH466R.2	U	8.725-407.0 (3)	8.725-362.0 (1)	8.717-584.0 (6)	8.717-618.0 (3)	8.751-238.0 (3)
HH506R.2	U	8.725-407.0 (3)	8.725-362.0 (1)	8.717-584.0 (6)	8.717-618.0 (3)	8.751-238.0 (3)
HS3040G.3	U	8.725-358.0 (3)	8.725-359.0 (1)	9.802-603.0 (6)	9.802-609.0 (3)	8.933-023.0 (3)
HS3540G.3	U	8.725-358.0 (3)	8.725-359.0 (1)	9.802-603.0 (6)	9.802-609.0 (3)	8.933-023.0 (3)
HS4040G.3	U	8.725-358.0 (3)	8.725-359.0 (1)	9.802-603.0 (6)	9.802-609.0 (3)	8.933-023.0 (3)
HS5030G.3	U	8.725-358.0 (3)	8.725-359.0 (1)	9.802-603.0 (6)	9.802-609.0 (3)	8.933-023.0 (3)
HX5843.2	U	8.752-843.0 (3)	8.752-849.0 (1)	8.752-853.0 (6)	8.752-835.0 (6)	8.752-838.0 (3)
HX8043.2	U	8.752-843.0 (3)	8.752-849.0 (1)	8.752-853.0 (6)	8.752-835.0 (6)	8.752-838.0 (3)
HX9536.2	U	8.752-844.0 (3)	8.752-850.0 (1)	8.752-853.0 (6)	8.752-835.0 (6)	8.752-938.0 (3)
HX1036.2	U	8.752-844.0 (3)	8.752-850.0 (1)	8.752-853.0 (6)	8.752-835.0 (6)	8.752-939.0 (3)
HT4540.2	U	8.753-821.0 (3)	8.753-822.0 (1)	8.753-824.0 (6)	8.752-835.0 (3)	8.753-823.0 (3)
HT6036.2	U	8.753-821.0 (3)	8.753-822.0 (1)	8.753-824.0 (6)	8.752-835.0 (3)	8.753-823.0 (3)



**HOTSY Pump Seal Kits**



Part No.	Kit Description
<b>8.717-623.0</b>	20mm 2 CYL
<b>8.717-646.0</b>	15mm 3 CYL
<b>8.725-354.0</b>	15mm
<b>8.725-356.0</b>	18mm
<b>8.725-358.0</b>	15mm 3 CYL
<b>8.725-360.0</b>	18mm 3 CYL
<b>8.725-362.0</b>	20mm 3 CYL
<b>8.725-364.0</b>	25mm 3 CYL
<b>8.916-487.0</b>	22mm 3 CYL
<b>8.916-488.0</b>	20mm 3 CYL
<b>9.804-076.0</b>	15mm Hot Water
<b>9.804-492.0</b>	18mm

**Complete Seal Kits**



Part No.	Kit Description
<b>8.717-647.0</b>	15mm 3 CYL
<b>8.717-671.0</b>	20mm 2 CYL
<b>8.725-355.0</b>	15mm
<b>8.725-357.0</b>	18mm
<b>8.725-359.0</b>	25mm
<b>8.725-361.0</b>	18mm
<b>8.725-365.0</b>	25mm
<b>8.725-401.0</b>	25mm 3 CYL
<b>8.725-404.0</b>	20mm 3 CYL
<b>8.725-405.0</b>	22mm 3 CYL
<b>8.725-407.0</b>	20mm 3 CYL
<b>8.725-408.0</b>	20mm 2 CYL
<b>8.725-415.0</b>	18mm 3 CYL
<b>8.725-417.0</b>	15mm 3 CYL
<b>8.725-418.0</b>	18mm 3 CYL
<b>9.804-077.0</b>	15mm Hot Water
<b>9.804-493.0</b>	18mm Hot Water

**Ceramic Seal Kits**



Part No.	Orig. No.	Kit Description
<b>9.803-934.0</b>	<b>753040</b>	15mm
<b>9.803-935.0</b>	<b>753107</b>	18mm
<b>8.717-586.0</b>	<b>877651</b>	20mm
<b>9.802-614.0</b>	<b>877652</b>	25mm
<b>8.717-617.0</b>	<b>877656</b>	20mm
<b>8.717-601.0</b>	<b>877659</b>	22mm
<b>8.717-632.0</b>	<b>877674</b>	18mm
<b>8.717-670.0</b>	<b>877684</b>	20mm
<b>9.802-614.0</b>	<b>70-260209</b>	25mm
<b>8.933-023.0</b>	<b>70-260823</b>	15mm
<b>9.802-629.0</b>	<b>70-261217</b>	18mm
<b>8.751-023.0</b>		15mm
<b>8.751-238.0</b>		20mm

**Valve Kits**



Part No.	Orig. No.	Kit Description
<b>8.717-590.0</b>	<b>753039</b>	HC340R,HHS335CR,HS330R, HS340R - Inc (1)
<b>8.717-589.0</b>	<b>753069</b>	HC940,HC 950, HHC950AR - Inc (6)
<b>8.717-591.0</b>	<b>753110</b>	HC930 Series - Inc (1)
<b>8.717-584.0</b>	<b>877648</b>	10mm - Inc (1)
<b>9.802-603.0</b>	<b>70-260007</b>	HM,HS Series - Inc (6)
<b>9.802-604.0</b>	<b>70-260018</b>	HH, HX series Inc (6)
<b>9.802-608.0</b>	<b>70-260025</b>	HX Series - Inc (6)
<b>9.803-936.0</b>	<b>70-260028</b>	HD, HE, HG Series - Inc (6)

**HOTSY Pump Tool Kits**



**A must for every service department.**

Save time using the right tool for the job. The HOTSY Pump Tool Kit includes:



- 6mm Allen Wrench
- 14mm Allen Wrench
- Plastic Covered Thin Blade Screwdriver
- Plastic Hammer
- Seal Extractor
- Two Piece Inserter for Sleeves
- Two Part Seal Inserter for Plunger Rods
- Crankshaft Seal Inserter
- Two Part Seal Inserter for Plunger Rods
- Crankshaft Seal Inserter
- Plastic Tool Box
- Pliers
- Seal Extractor



Part No.	Original No.	Kit Description
<b>9.802-953.0</b>	<b>918430</b>	13 Piece Hotsy Pump Tool Kit
<b>9.802-568.0</b>	<b>959260</b>	Pliers, Seal Extractor

**Plunger Oil Seal Kits**



Part No.	Original no.	Description
<b>8.717-585.0</b>	<b>877653</b>	H, HC Series - See Selection Chart
<b>8.717-618.0</b>	<b>877655</b>	H, HC, HS Series - See Selection Chart
<b>8.717-587.0</b>	<b>877687</b>	HC165, HC168 Series
<b>9.802-606.0</b>	<b>70-260023</b>	HH, HX series
<b>9.802-609.0</b>	<b>70-260027</b>	HM, HS series
<b>9.803-937.0</b>	<b>70-260826</b>	HD, HE, HG Series

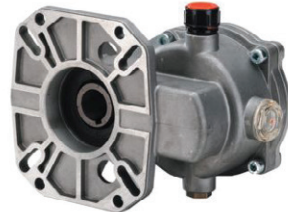
**Pump Oil**



- Formulated to exceed the factory specifications for HOTSY and other high pressure pumps.
- Non-detergent, non-foaming

Part No.	Description
<b>8.923-422.0</b>	32 oz Bottle

## Geared Reduction for Hotsy Pumps



Part No.	Engine Shaft	Pump Shaft	Weight	Gear Ratio	Engine Power
<b>B5</b>					
8.749-922.0	3/4 in.	24 mm	74.1 oz.	2.3:1	6.5 HP
<b>B10</b>					
8.749-923.0	1 in.	24 mm	193.3 oz.	2.176:1	7-10 HP
<b>B18</b>					
8.715-342.0	1 in.	24 mm	139.3 oz.	2.176:1	11-18 HP
8.749-924.0	1-1/8 in.	24 mm	139.3 oz.	2.176:1	11-18 HP
8.749-925.0	0.984 in.	24 mm	139.3 oz.	2.176:1	11-18 HP
8.715-344.0	1 in.	25 mm	139.3 oz.	2.176:1	11-18 HP
<b>B18H</b>					
8.749-926.0	1 in.	24 mm	155.2 oz.	2.176:1	11-18 HP

## Coil Insulation



873750

- Refractory Grade Ceramic
- Retains heat inside coil for better fuel efficiency and paint protection

Part No.	Original No.	Description
8.717-412.0	268015	Cerafelt 24 x 56
8.717-413.0	268016	Cerafelt 6 x 56
8.717-451.0	873757	Cerafelt 1/2 x 24, Bulk/sqft
8.717-452.0	873762	Cerafelt 1 x 24, Bulk/sqft
8.717-414.0	268017	Fiberglass 18 OD x 10.3 ID
8.717-442.0	873749	Fiberglass 18 OD x 8.0 ID
8.717-446.0	873751	Fiberglass 29 x 58
9.802-908.0	873776	Fiberglass 10 x 52
8.717-438.0	873777	Fiberglass 22.5 x 52
9.802-903.0	873778	Fiberglass 16 OD x 4.5
9.802-904.0	873779	Fiberglass 16 OD x 8.3
8.717-445.0	873786	Fiberglass 18 OD x 10
8.717-450.0	722418	Fiberglass 8 x 17.5
9.802-587.0	722423	Fiberglass TBG 50 ID
8.717-449.0	722411	Fiberglass 16 OD x 10
8.717-441.0	873750	Tophead 18 OD x 4.0 ID

## Hotsy Coil Conditioner



- Specially formulated to remove scale and mineral deposits (MUST be used with an auxiliary recirculation pump)
- Increases efficiency from heating coils

Part No.	Orig No.	Description
8.904-764.0	51302	Case of 12 - 2lbs Containers

## Coils



- Heavy-duty schedule 80 carbon steel pipe
- Best warranty in the industry
- Sized to water flow for maximum heat rise
- Wound specifically for oil and gas fired applications

Part No.	Original No.	Description
<b>Oil Fired</b>		
8.919-135.0	226222	16", fits 444/550/660, 555, 560, 781, 871, 921, 965 Series
8.911-491.0	240700	fits 27/28/2900 Series
8.911-493.0	240839	fits 900/1000, 1400 Series
8.911-497.0*	240900	fits 3Z663/5Z021 Series
8.919-138.0	241100	fits 800E/950/810, 1260, 70, 80, 90 Series
8.911-499.0*	241119	fits 530, Sheetmetal Frame
8.911-500.0	241172	fits 520/540 Series
8.911-494.0	241207	fits 5000/9450, 5645, 5700 Series
8.911-502.0*	241291	fits 800 30" HGT
8.911-505.0*	241314	fits 530/610 Series, Angle Frame
<b>Gas/Oil Fired</b>		
8.911-496.0	241196	28" fits 9460 Series
<b>Gas Fired</b>		
8.911-498.0	241098	fits 900/1000, 1400 Series
8.911-501.0*	241173	fits 611/530 Series
8.911-495.0	241208	fits 5000 Series, 9452
8.911-503.0	241292	fits 800 30" HGT
8.911-504.0*	241313	fits 800 27" HGT
8.911-976.0*	241536	16" fits 551, 558, 559 Series
8.911-996.0*	240841	fits 771, 772

\*Available from Springdale and Camas

**Downstream Chemical Injectors**



Adjustable Injector



Fixed Injector

- Applies detergent while by-passing vital machine components

Part No.	Original No.	Description
<b>Adjustable</b>		
9.802-956.0	873579	Hot Water 2.1mm 3/8" M x 3/8" M
8.709-428.0	873580	Cold Water 2.1mm 3/8" M x 3/8" M
8.709-429.0	873582	Cold Water 2.3mm 3/8" M x 3/8" M
<b>Fixed - Cold Water</b>		
8.709-419.0	873594	1.8mm 3/8" F x 3/8" M
9.802-957.0	873591	2.1mm 3/8" M x 3/8" M
8.709-421.0	722400	2.1mm 3/8" F x 3/8" M
8.709-422.0	722436	2.1mm 3/8" qc skt x 3/8" qc plug
8.709-420.0	875760	2.3mm 3/8" F x 3/8" M
8.709-423.0	722429	1.8mm 3/8" M x 3/8" M 2-3 GPM Ceramic Check
8.709-424.0	722430	2.1mm 3/8" M x 3/8" M 3-5 GPM Ceramic Check
<b>Repair Kits</b>		
8.717-663.0	877665	Repair Kit 873579, 873591
8.718-494.0	753048	Repair Kit 722429, 722430
8.718-495.0	753121	Repair Kit 873580, 873582, 873594, 722400, 722436, 875760
8.717-664.0	908285	Orifice, Blank

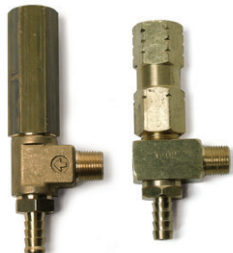
**Inlet Chemical Injector**



- Two adjusting knobs for incoming water pressure and detergent metering

Part No.	Original No.	Description
9.803-275.0	873596	Hotsy Dual-Adjusting Injector
8.700-290.0	753002	Repair Kit

**Pressure Relief Valves**



8.718-496.0      8.707-332.0

Part No.	Orig. I No.	PSI
8.707-337.0	971204	500
8.707-332.0	971181	1000
8.707-336.0	971187	1500
8.718-496.0	971182	2000
8.707-274.0	921468	2200
8.707-335.0	971185	2500
8.711-231.0	971183	3000
8.707-334.0	971184	3500
8.707-258.0	921440	150 PSI/ 210°F

**Hotsy Unloaders**



8.715-491.0



8.715-505.0

- Head mount or remote
- Lock device
- Hotsy proven performer's

Part No.	Orig. No.	Description	GPM	PSI
8.715-469.0	921501	XSM w/o Knob 1/4 Bypass	6.6	500
8.715-498.0	921467	XSM w/o Knob 1/4 Bypass	6.6	4500
8.707-351.0	921505	XSM w/o Knob 3/8 Bypass	6.6	2500
8.715-502.0	921462	H/M Duplex Pumps	6.6	1000
8.715-500.0	921378	H/M High Temp O-rings	6.6	600
8.715-491.0	921460	H/M Sml & Med Triplex Pumps	6.6	3000
8.715-494.0	921461	H/M Sml & Med Triplex w/ Hi Flow Banjo	6.6	3000
8.715-493.0	921464	H/M SST Pumps	6.6	3000
8.715-490.0	921465	H/M SST w/ Hi Flow Banjo Bolts	6.6	3000
8.715-499.0	921300	SM w/o Knob	6.6	2200
8.715-492.0	921304	SM w/o Knob	6.6	1000
8.715-496.0	971179	SM w/o Knob	6.6	1500
8.715-495.0	971582	LG w/ Knob	8.0	1500
8.715-504.0	971581	LG w/ Knob	8.0	2200
8.715-503.0	971580	LG w/ Knob	8.0	3000
8.715-505.0	971555	LG w/ Knob (w/o Spacer)	8.0	3000
8.715-509.0	921391	XLG w/ Knob	13.2	2000
8.715-508.0	921390	XLG w/ Knob	13.2	3000
9.802-363.0	5-3029	VB55 for Hotsy HM,HS	8	3650
9.802-361.0	921809	VB55 w/1/8" Bore for easy start	8	3200
9.803-899.0	5-3329	VBA35 for Hotsy HG, HD, HE	6.6	3500
9.803-900.0	5-3330	VBA35 for Hotsy HM,HS	6.6	3500

## Hotsy Crossfire Burner

Crossfire oil burners offer performance reliability, and energy efficiency. With industry exclusive features that are easy to install and provide a durable, maintenance free package. Designed for the harsh environment of the pressure washer industry, these burners are built to provide years of trouble free service.

### CROSSFIRE



- Suntec Fuel pumps
- Exceptional performance even at low fire
- Easy Service (simple adjustment and overall design)
- Solid State high output igniters
- Forged brass gun assembly with self aligning electrodes
- Water tight Electrical box with numbered terminal strip and wiring diagram for quick and easy installation
- Power and ignition indicator lights
- Die cast aluminum fan housing with slide in guide for forged brass gun assembly
- Sight glass for viewing spark, ignition and fan

### Specifications:

#### Capacities:

.75 to 3.00 gph  
75,000 to 960,000 BTU/hr input (M/L)  
56,000 to 420,000 BTU/hr input (S)

#### Fuels:

Number 2 diesel, number 1 home heating fuel, Ultra low sulfur and kerosene.

#### Dimensions:

Height: 12.5" High; 15" Wide; 14" Deep (M/L)  
11" High; 12.5" Wide; 9" Deep (S)

#### Electrical:

Motor: 3450 rpm, NEMA M-flange  
Power Supply: 115V 1 ph 60Hz  
230V 1 ph 60Hz  
12VDC

Ignition: 10,000V 14kVpk, 35mA continuous duty shielded igniter

#### Operating Load:

115V - 5.8 amp M/L 2.8 amp S  
230V - 2.8 amp M/L 2.5 amp S  
12VDC - 11 amp M/L 10 amp S

Part No.	Description	Operating Voltage	Air Cone	Fuel Pump Solenoid Voltage
8.918-907.0	Vertical Burner S	120V	F6	120V
8.918-908.0	Vertical Burner S	120V	F22	120V
8.918-909.0	Vertical Burner S	230V	F22	230V
8.918-910.0	Vertical Burner S	12V	F12	12-24V
8.918-911.0	Vertical Burner S	12V	F22	12-24V
8.918-912.0	Vertical Burner S	230V	F22	24V
8.920-645.0	Vertical Burner M/L	120V	F22	120V
8.920-646.0	Vertical Burner M/L	230V	F22	12-24V
8.920-647.0	Vertical Burner M/L	230V	F22	12-24V
8.920-648.0	Vertical Burner M/L	230V	F22	12-24V
8.920-649.0	Vertical Burner M/L	120V	F22	120V
8.920-650.0	Vertical Burner M/L	230V	F310	120V
8.920-651.0	Vertical Burner M/L	230V	F310	120V
8.920-960.0	Vertical Burner M/L	120V	F310	120V
8.920-961.0	Vertical Burner M/L	12VDC	F22	12-24V
8.920-962.0	Vertical Burner M/L	12VDC	F22	12-24V

#### Replacement Parts

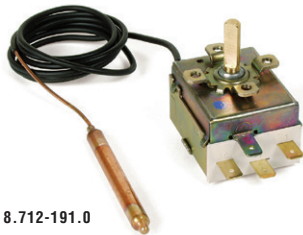
8.919-050.0	Burner Housing Assembly - S
8.752-865.0	Burner Housing Assembly - M/L
8.700-758.0	Suntec Fuel Pump, 12-24V Sol
8.700-759.0	Suntec Fuel Pump, 120V Sol
8.700-760.0	Suntec Fuel Pump, 230V Sol
8.750-517.0	Burner Motor, 1/6 HP, 115V - S
8.750-518.0	Burner Motor, 1/6 HP, 230V - M/L
8.751-074.0	Burner Motor, 1/7 HP, 12VDC, Ametek
8.752-930.0	Burner Motor, 1/4 HP, 115V w/cap - M/L
8.752-931.0	Burner Motor, 1/4 HP, 230V w/cap - M/L
8.752-933.0	Burner Motor, 1/5 HP, 13.5 VDC - M/L
8.752-932.0	Burner Motor, 1/7 HP, 115V - M/L
8.752-054.0	Burner Motor, 1/7 HP, 230V - M/L
8.750-543.0	Flex Coupling, 1/2" x 5/16"
8.750-073.0	Flex Coupling, 5/16" x 5/16"
8.753-061.0	Flex Coupling, 1/2" x 5/16" x 3 7/8"L
8.753-062.0	Flex Coupling, 5/16" x 5/16" x 3 7/8"L

#### Replacement Parts, continued

8.750-520.0	Fan, 1/2 Bore - S
8.751-072.0	Fan, 5/16" Bore - S
8.752-928.0	Fan, 6.25 x 4.25 x 1/2 Bore - M/L
8.752-929.0	Fan, 6.25 x 4.25 x .313 Bore - M/L
8.750-547.0	Connector, 37 Degree Flare, 1/8" NPT, Long
8.750-545.0	Connector, 37 Degree Flare, 1/8" NPT
8.749-000.0	Fuel Line Assembly - S
8.752-934.0	Fuel Line Assembly - M
8.753-055.0	Fuel Line Assembly - L
8.750-539.0	Gasket, flange
8.750-526.0	Gun, Electrode / Nozzle, 3"
8.750-525.0	Gun, Electrode / Nozzle, 1"
8.750-778.0	Electrode Ignition
8.919-114.0	Burner Ignitor, 120V
8.919-115.0	Burner Ignitor, 230V
8.919-116.0	Burner Ignitor, 12VDC
8.918-454.0	Junction Box Gasket - S
8.752-922.0	Junction Box Gasket - M/L
8.920-654.0	Junction Box Cover - M/L
8.750-542.0	Junction Box Cover - S
8.751-342.0	Electrode, Ignition, DC
8.750-762.0	Coil, Solenoid, 230V - S
8.750-763.0	Coil, Solenoid, 115V - S
8.750-764.0	Coil, Solenoid, 12-24V - S
9.802-640.0	Coil, Solenoid, 120V - M/L
9.802-641.0	Coil, Solenoid, 230V - M/L
8.700-794.0	Coil, Solenoid, 12-24V - M/L



**Thermostats**



8.712-191.0



8.716-102.0

Part No.	Orig. No.	Description
8.712-191.0	955930	240°F 1M Probe
8.712-195.0	955940	240°F 2M Probe
For use with above:		
8.712-190.0	915390	Mounting Plate
8.718-779.0	735321	Screws (2),Mounting Plate
8.712-189.0	835150	Dial
8.707-286.0	389522	Well
9.804-564.0	735226	Screw, Well
8.716-102.0	950513	Temp Control Bulb 200°F
8.712-199.0	950509	Temp Control w/ Bulb
8.712-200.0	950516	-100 + 400 Fenwall
8.712-206.0	875707	Switch Therm NC 140°F

**Float Tank**



9.804-042.0

- Heavy 3/16" durable plastic

Part No.	Orig. No.	Description
9.804-042.0	890880	2.5 gal w/o Adapter
8.706-642.0	890760	4.0 gal w/ Cover
8.706-643.0	952721	8.0 gal, 7-3/4" x 20-3/4" x 15"

**Pressure Switch**



8.716-129.0

- Activated pressure 375 PSI

Part No.	Orig. No.	Description	PSI	Amp	Voltage
8.716-129.0	875651	Hotsy	4000	15	250
8.712-267.0**	885680	Hotsy	5800	15	250
8.717-667.0*	753134	Repair Kit-Seal			
8.717-668.0*	753228	Repair Kit-Plunger			
8.717-256.0*	875653	Micro Switch			

\* Repair parts only fit the 8.716-129.0.

\*\* Same as Red Pressure Switch / repair parts on page 123.

**Flow Switch**



8.716-139.0

Part No.	Original No.	Description
8.716-139.0	950499	FS 1 McDonnell - 1/2" FPT
8.716-138.0	950496	FS 6 McDonnell - 1" FPT

**Detergent Flow Meter**



- 100 PSI working pressure
- 150°
- Measures detergent / water flow ratio

Part No.	Orig. No.	Description
8.712-139.0	886539	Up to 100 PSI @ 150°F

**Industrial Sandblaster**



For the extra-tough cleaning jobs, wet-sandblasting is the dust-free solution. Hotsy's sandblaster attaches to a hot or cold water pressure washer, and mixes sand or other abrasive media with the high-pressure spray using a venturi. This creates enough cleaning power to strip paint off concrete and barnacles from a ship's hull. The sandblasting nozzle is made of tungsten carbide for long life.

Other features include:

- Quick-connect coupler for ease in attaching sand probe or pot
- Valve for metering the flow of the media
- Tubed, pneumatic tires for easy maneuvering

Rating: Super-duty

Recommended Usage: Heavy

Attaches to: any hot or cold water pressure washer with minimum volume of 4 GPM



Part No.	Description
8.923-694.0	Sandblasting System with Sand Container (Carbide)
8.923-698.0	Sandblaster with Probe (Carbide) - does not include container